

1.2A 150kHz 40V Buck DC/DC Converter With Constant Current Loop

XL4011

Features

- Wide 4.5V to 40V Input Voltage Range
- Output Adjustable from 1.235V to 37V
- Minimum Drop Out 1.5V
- Fixed 150kHz Switching Frequency
- 1.2A Constant Output Current Capability
- Internal Optimize Power Transistor
- Excellent line and load regulation
- TTL shutdown capability
- ON/OFF pin with hysteresis function
- **With output constant current loop**
- Built in thermal shutdown function
- Built in current limit function
- **Built in output over voltage protection**
- Available in SOP8 package

General Description

The XL4011 is a 150KHz fixed frequency PWM buck (step-down) DC/DC converter, capable of driving a 1.2A load with high efficiency, low ripple and excellent line and load regulation. Requiring a minimum number of external components, the regulator is simple to use and include internal frequency compensation and a fixed-frequency oscillator.

The PWM control circuit is able to adjust the duty ratio linearly from 0 to 100%. An enable function, an over current protection function is built inside. An internal compensation block is built in to minimize external component count.

Applications

- Car Charger
- Battery Charger
- LED Constant Current Driver



SOIC-8

Figure1. Package Type of XL4011

Pin Configurations

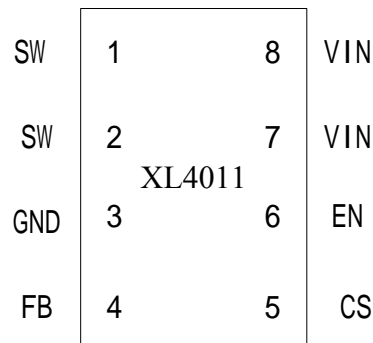


Figure2. Pin Configuration of XL4011 (Top View)

Table 1 Pin Description

Pin Number	Pin Name	Description
1,2	SW	Power Switch Output Pin (SW). Output is the switch node that supplies power to the output.
3	GND	Ground Pin.
4	FB	Feedback Pin (FB). Through an external resistor divider network, Feedback senses the output voltage and regulates it. The feedback threshold voltage is 1.235V.
5	CS	Output Current Sense Pin; (Iload=0.155V/Rcs)
6	EN	Enable Pin. Drive EN pin low to turn on the device, drive it high to turn it off. Floating is default low.
7,8	VIN	Supply Voltage Input Pin. XL4011 operates from a 4.5V to 40V DC voltage. Bypass Vin to GND with a suitably large capacitor to eliminate noise on the input.

1.2A 150kHz 40V Buck DC/DC Converter With Constant Current Loop

XL4011

Function Block

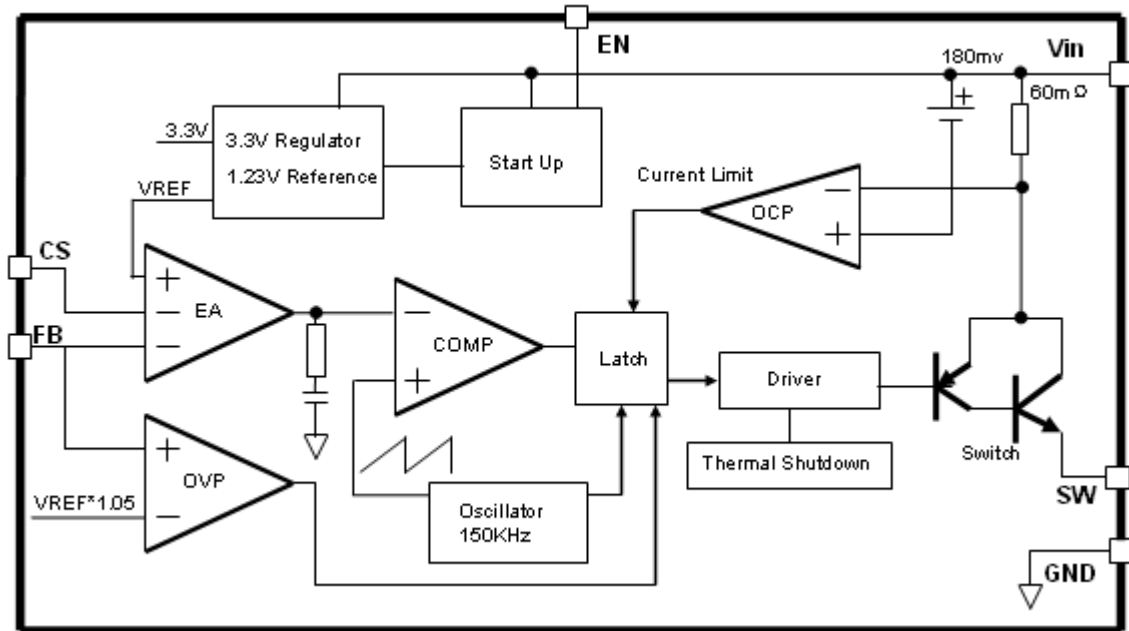


Figure3. Function Block Diagram of XL4011

Typical Application Circuit (Car Charger)

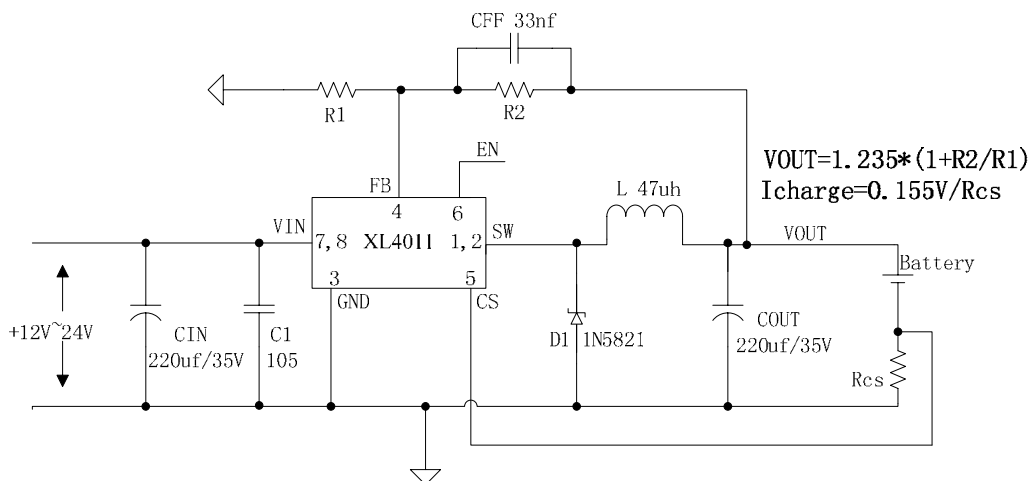


Figure4. XL4011 Typical Application Circuit (Li Battery Charger)

1.2A 150kHz 40V Buck DC/DC Converter With Constant Current Loop

XL4011

Typical Application Circuit (Buck LED Constant Current Driver)

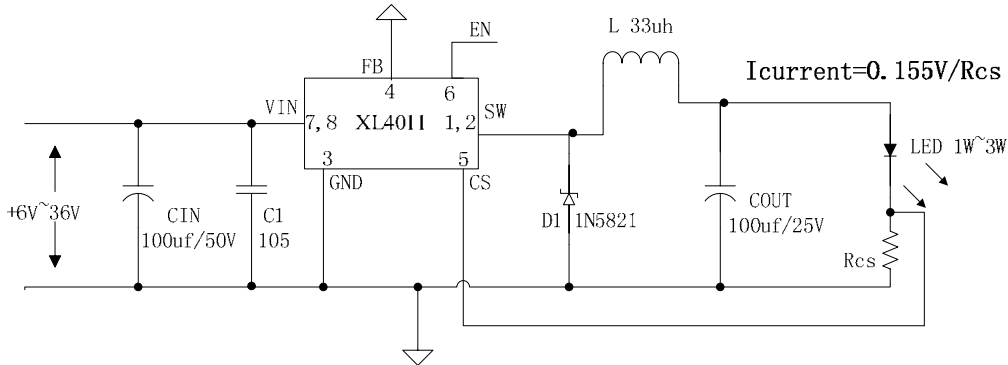


Figure5. XL4011 Typical Application Circuit (LED Constant Current Driver)

Ordering Information

Package	Temperature Range	Part Number	Marking ID	Packing Type
		Lead Free	Lead Free	
		XL4011E1	XL4011E1	Tube
		XL4011TRE1	XL4011E1	Tape & Reel

XLSEMI Pb-free products, as designated with “E1” suffix in the par number, are RoHS compliant.

Absolute Maximum Ratings (Note1)

Parameter	Symbol	Value	Unit
Input Voltage	V _{in}	-0.3 to 45	V
FB Pin Voltage	V _{FB}	-0.3 to V _{in}	V
EN Pin Voltage	V _{EN}	-0.3 to V _{in}	V
SW Pin Voltage	V _{SW}	-0.3 to V _{in}	V
Power Dissipation	P _D	Internally limited	mW
Thermal Resistance (Junction to Ambient, No Heatsink, Free Air)	R _{JA}	80	°C/W
Operating Junction Temperature	T _J	-40 to 125	°C
Storage Temperature	T _{STG}	-65 to 150	°C
Lead Temperature (Soldering, 10 sec)	T _{LEAD}	260	°C
ESD (HBM)		2000	V

Note1: Stresses greater than those listed under Maximum Ratings may cause permanent damage to the device. This is a stress rating only and functional operation of the device at these or any other conditions above those indicated in the operation is not implied. Exposure to absolute maximum rating conditions for extended periods may affect reliability.

1.2A 150kHz 40V Buck DC/DC Converter With Constant Current Loop

XL4011

XL4011 Electrical Characteristics $T_a = 25$; unless otherwise specified.

Symbol	Parameter	Test Condition	Min.	Typ.	Max.	Unit
<i>System parameters test circuit figure5</i>						
VOUT	Output Voltage	$V_{in} = 4.5V$ to $40V$ $I_{load} = 0.2A$ to $1.2A$	1.198	1.235	1.272	V
Efficiency	η	$V_{in} = 12V$, $V_{out} = 5V$ $I_{out} = 1.2A$	-	81	-	%

Electrical Characteristics (DC Parameters) $V_{in} = 12V$, $GND = 0V$, V_{in} & GND parallel connect a $220\mu F/50V$ capacitor; $I_{out} = 500mA$, $T_a = 25$; the others floating unless otherwise specified.

Parameters	Symbol	Test Condition	Min.	Typ.	Max.	Unit
Input operation voltage	V_{in}		4.5		40	V
Shutdown Supply Current	I_{STBY}	$V_{EN} = 5V$		80	200	μA
Quiescent Supply Current	I_q	$V_{EN} = 0V$, $V_{FB} = V_{in}$		2	5	mA
Oscillator Frequency	F_{osc}		127	150	172	Khz
Switch Current Limit	I_L	$V_{FB} = 0$		2.5		A
EN Pin Threshold	V_{EN}	High (Regulator OFF) Low (Regulator ON)		1.4 0.8		V
Output Saturation Voltage	V_{CE}	$V_{FB} = 0V$ $I_{SW} = 1.2A$		1.1	1.4	V
Constant current sense Voltage	V_{CS}		0.132	0.155	0.178	V

1.2A 150kHz 40V Buck DC/DC Converter With Constant Current Loop

XL4011

Schottky Diode Selection Table

Current	Surface Mount	Through Hole	VR (The same as system maximum input voltage)				
			20V	30V	40V	50V	60V
1A			1N5817	1N5818	1N5819		
3A			1N5820	1N5821	1N5822		
			MBR320	MBR330	MBR340	MBR350	MBR360
			SK32	SK33	SK34	SK35	SK36
				30WQ03	30WQ04	30WQ05	
				31DQ03	31DQ04	31DQ05	
			SR302	SR303	SR304	SR305	SR306

